

THIS DRAWING IS UNPUBLISHED.

RELEASED FOR PUBLICATION

-. - .

© COPYRIGHT - By -

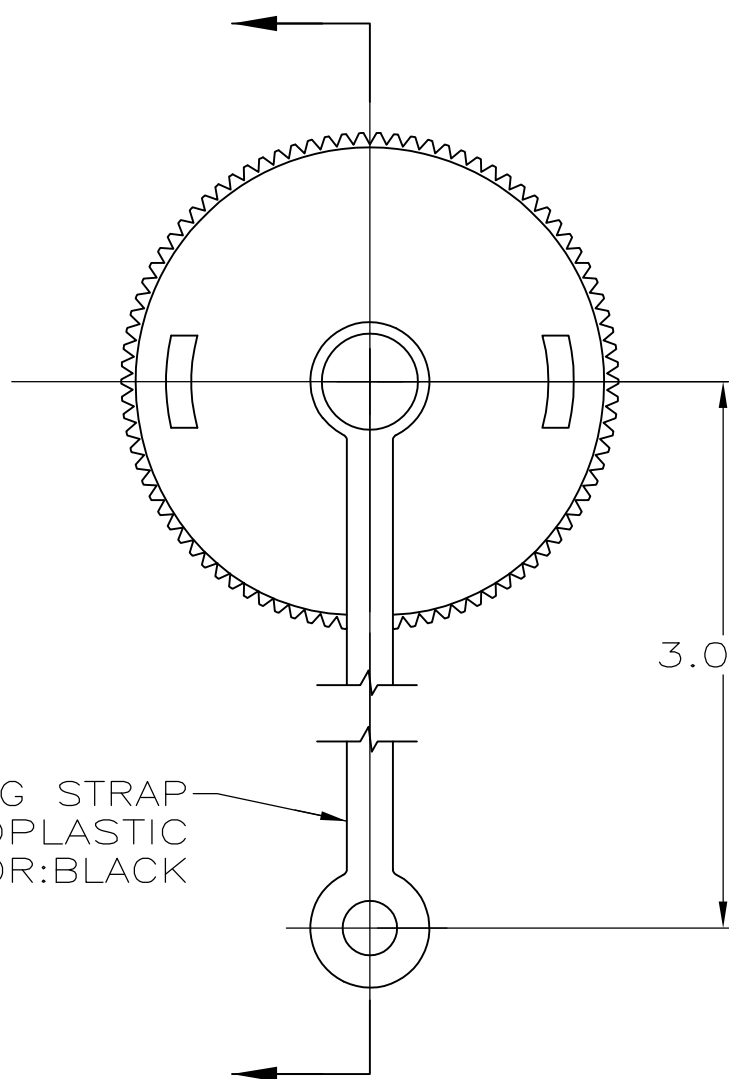
ALL RIGHTS RESERVED.

LOC
FT

DIST
4

REVISIONS

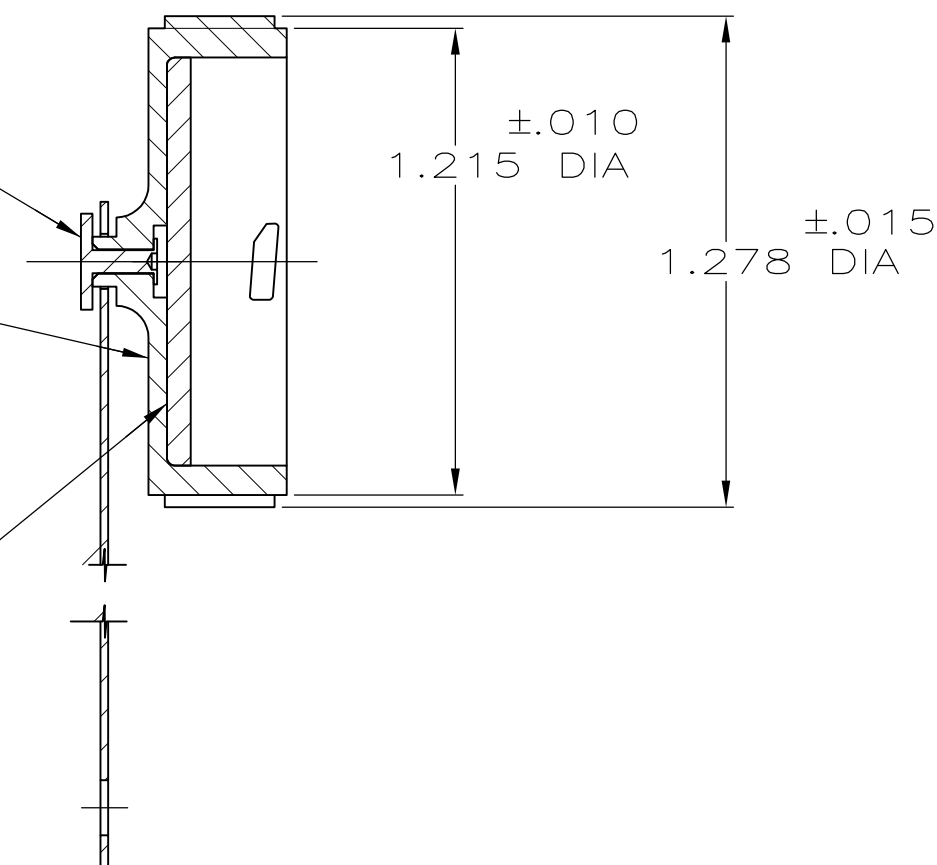
P	LTR	DESCRIPTION	DATE	DWN	APVD
	G1	REVISED PER ECO-11-004820	11MAR11	RK	HMR



RIVET
MATERIAL: CARBON STEEL
FINISH: ZINC PLATE
W/CLEAR CHROMATE

SEALING CAP
MATERIAL: THERMOPLASTIC
COLOR: BLACK

SEALING GASKET
MATERIAL: NEOPRENE
RUBBER
SEE TABLE



MOUNTING STRAP
MATERIAL: THERMOPLASTIC
COLOR: BLACK

3.000 ± 0.030

±.010
1.215 DIA

±.015
1.278 DIA

SUPERCEDED BY 207445-3

YES	YES	207445-3
YES	NO	207445-2
NO	YES	207445-1
ROHS COMPLIANT	SEALING GASKET	PART NUMBER

THIS DRAWING IS A CONTROLLED DOCUMENT.		DWN S.RIDGLEY 7/30/90 BG
DIMENSIONS: INCHES		CHK R.STONE 4-26-91
TOLERANCES UNLESS OTHERWISE SPECIFIED:		APVD K.BEAVER 4-30-91
0 PLC ± -		PRODUCT SPEC
1 PLC ± -		APPLICATION SPEC
2 PLC ± -		WEIGHT
3 PLC ± .005		—
4 PLC ± -		CUSTOMER DRAWING
ANGLES ± -		SCALE 2:1
MATERIAL SEE CALLOUTS	FINISH SEE CALLOUTS	SHEET 1 OF 1

STE TE Connectivity			
SEALING CAP ASSY, SIZE 17, CPC			
SIZE	CAGE CODE	DRAWING NO	RESTRICTED TO
A3	00779	C-207445	—
REV G1			REV G1